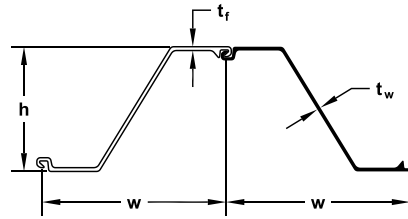


AZ

AZ Hot Rolled Steel Sheet Pile



SECTION	Width (w) in mm	Height (h) in mm	THICKNESS		Cross Sectional Area in ² /ft cm ² /m	WEIGHT		SECTION MODULUS		Moment of Inertia in ⁴ /ft cm ⁴ /m	COATING AREA	
			Flange (t _f) in mm	Web (t _w) in mm		Pile lb/ft kg/m	Wall lb/ft ² kg/m ²	Elastic in ³ /ft cm ³ /m	Plastic in ³ /ft cm ³ /m		Both Sides ft ² /ft of single m ² /m	Wall Surface ft ² /ft ² m ² /m ²
AZ 12-770	30.31 770	13.52 344	0.335 8.5	0.335 8.5	5.67 120.1	48.78 72.6	19.31 94.3	23.2 1245	27.5 1480	156.9 21430	6.07 1.85	1.20 1.20
AZ 13-770	30.31 770	13.54 344	0.354 9.0	0.354 9.0	5.94 125.8	51.14 76.1	20.24 98.8	24.2 1300	28.8 1546	163.7 22360	6.07 1.85	1.20 1.20
◆ AZ 14-770	30.31 770	13.56 345	0.375 9.5	0.375 9.5	6.21 131.5	53.42 79.5	21.14 103.2	25.2 1355	30.0 1611	170.6 23300	6.07 1.85	1.20 1.20
AZ 17-700	27.56 700	16.52 420	0.335 8.5	0.335 8.5	6.28 133.0	49.12 73.1	21.38 104.4	32.2 1730	37.7 2027	265.3 36230	6.10 1.86	1.33 1.33
AZ 18-700	27.56 700	16.54 420	0.354 9.0	0.354 9.0	6.58 139.2	51.41 76.5	22.39 109.3	33.5 1800	39.4 2116	276.8 37800	6.10 1.86	1.33 1.33
◆ AZ 19-700	27.56 700	16.56 421	0.375 9.5	0.375 9.5	6.88 145.6	53.76 80.0	23.35 114.3	34.8 1870	41.0 2206	288.4 39380	6.10 1.86	1.33 1.33
AZ 20-700	27.56 700	16.57 421	0.394 10.0	0.394 10.0	7.18 152.0	56.11 83.5	24.43 119.3	36.2 1945	42.7 2296	300.0 40960	6.10 1.86	1.33 1.33
AZ 18-800	31.5 800	17.68 449	0.335 8.5	0.335 8.5	6.07 128.6	54.26 80.7	20.67 100.9	34.2 1840	39.7 2135	302.6 41320	6.82 2.08	1.30 1.30
AZ 20-800	31.5 800	17.72 450	0.375 9.5	0.375 9.5	6.66 141.0	59.50 88.6	22.67 110.7	37.2 2000	43.3 2330	329.9 45050	6.82 2.08	1.30 1.30
AZ 22-800	31.5 800	17.76 451	0.413 10.5	0.413 10.5	7.25 153.5	64.77 96.4	24.68 120.5	40.3 2165	47.0 2525	357.3 48790	6.82 2.08	1.30 1.30
AZ 23-800	31.50 800	18.66 474	0.453 11.5	0.354 9.0	7.12 150.6	63.56 94.6	24.22 118.2	43.3 2330	49.9 2680	404.6 55260	6.94 2.11	1.32 1.32
AZ 25-800	31.50 800	18.70 475	0.492 12.5	0.394 10.0	7.71 163.3	68.91 102.6	26.26 128.2	46.5 2500	53.8 2890	435.1 59410	6.94 2.11	1.32 1.32
AZ 27-800	31.50 800	18.74 476	0.531 13.5	0.433 11.0	8.31 176.0	74.26 110.5	28.29 138.1	49.7 2670	57.6 3100	465.5 63570	6.94 2.11	1.32 1.32
AZ 24-700	27.56 700	18.07 459	0.441 11.2	0.441 11.2	8.23 174.1	64.30 95.7	28.00 136.7	45.2 2430	53.5 2867	408.8 55820	6.33 1.93	1.38 1.38
◆ AZ 26-700	27.56 700	18.11 460	0.480 12.2	0.480 12.2	8.84 187.2	69.12 102.9	30.10 146.9	48.4 2600	57.1 3070	437.3 59720	6.33 1.93	1.38 1.38
AZ 28-700	27.56 700	18.15 461	0.520 13.2	0.520 13.2	9.46 200.2	73.93 110.0	32.19 157.2	51.3 2760	60.9 3273	465.9 63620	6.33 1.93	1.38 1.38
AZ 28-750	29.53 750.0	20.04 509.0	0.472 12.00	0.394 10.00	8.09 171.2	67.73 100.80	27.53 134.40	52.3 2810	60.3 3245	523.9 71540	6.93 2.11	1.41 1.41
AZ 30-750	29.53 750.0	20.08 510.0	0.512 13.00	0.433 11.00	8.73 184.7	73.08 108.80	29.70 145.00	55.9 3005	64.8 3485	561.5 76670	6.93 2.11	1.41 1.41
AZ 32-750	29.53 750.0	20.12 511.0	0.551 14.00	0.472 12.00	9.37 198.3	78.44 116.70	31.88 155.60	59.5 3200	69.2 3720	599.0 81800	6.93 2.11	1.41 1.41
AZ 36-700N	27.56 700	19.65 499	0.591 15.0	0.441 11.2	10.20 215.9	79.72 118.6	34.71 169.5	66.8 3590	76.4 4110	656.2 89610	6.73 2.05	1.47 1.47
◆ AZ 38-700N	27.56 700	19.69 500	0.630 16.0	0.480 12.2	10.87 230.0	84.94 126.4	36.98 180.6	70.6 3795	81.1 4360	694.5 94840	6.73 2.05	1.47 1.47
AZ 40-700N	27.56 700	19.72 501	0.669 17.0	0.520 13.2	11.54 244.2	90.16 134.2	39.26 191.7	74.3 3995	85.7 4605	732.9 100080	6.73 2.05	1.47 1.47
AZ 42-700N	27.56 700	19.65 499	0.709 18.0	0.551 14.0	12.22 258.7	95.51 142.1	41.59 203.1	78.2 4205	90.3 4855	768.4 104930	6.75 2.06	1.47 1.47
AZ 44-700N	27.56 700	19.69 500	0.748 19.0	0.591 15.0	12.89 272.8	100.74 149.9	43.87 214.2	81.9 4405	95.0 5105	806.6 110150	6.75 2.06	1.47 1.47
AZ 46-700N	27.56 700	19.72 501	0.787 20.0	0.630 16.0	13.56 287.0	105.97 157.7	46.14 225.3	85.7 4605	99.5 5350	844.9 115370	6.75 2.06	1.47 1.47
AZ 46	22.83 580	18.94 481	0.709 18.0	0.551 14.0	13.76 291.2	89.10 132.6	46.82 228.6	85.5 4595	98.5 5295	808.8 110450	6.20 1.89	1.63 1.63
AZ 48	22.83 580	18.98 482	0.748 19.0	0.591 15.0	14.48 306.5	93.81 139.6	49.28 240.6	89.3 4800	103.3 5553	847.0 115670	6.20 1.89	1.63 1.63
AZ 50	22.83 580	19.02 483	0.787 20.0	0.630 16.0	15.22 322.2	98.58 146.7	51.80 252.9	93.3 5015	108.2 5816	886.5 121060	6.20 1.89	1.63 1.63
AZ 48-700	27.56 700.0	19.80 503.0	0.866 22.00	0.591 15.00	13.63 288.4	106.49 158.50	46.37 226.40	88.4 4755	102.1 5490	876.2 119650	6.70 2.04	1.46 1.46
AZ 50-700	27.56 700.0	19.84 504.0	0.906 23.00	0.630 16.00	14.30 302.6	111.73 166.30	48.65 237.50	92.2 4955	106.7 5735	914.6 124890	6.70 2.04	1.46 1.46
AZ 52-700	27.56 700.0	19.88 505.0	0.945 24.00	0.669 17.00	14.97 317.0	116.97 174.10	50.93 248.70	95.9 5155	111.3 5985	953.0 130140	6.70 2.04	1.46 1.46

◆ In stock.

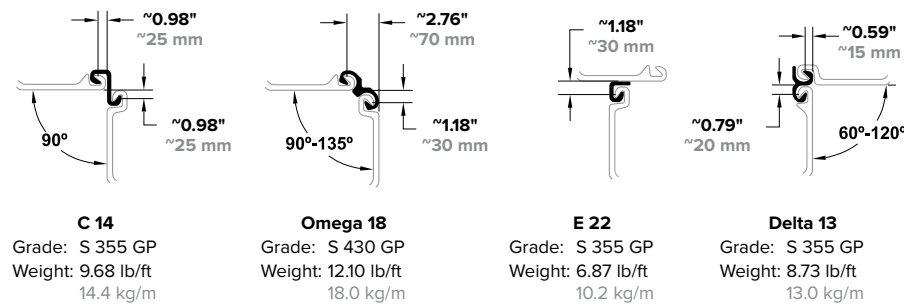
AZ Hot Rolled Steel Sheet Pile

Available Steel Grades

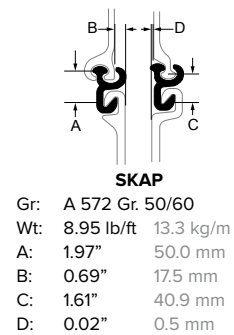
AMERICAN			CANADIAN			EUROPEAN			AMLoCor***		
ASTM	YIELD STRENGTH		CSA G40.21	YIELD STRENGTH		EN 10248	YIELD STRENGTH			YIELD STRENGTH	
	ksi	MPa		ksi	MPa		ksi	MPa		ksi	MPa
A 328	39	270	Grade 260 W	38	260	S 240 GP	35	240	Blue 320	46	320
A 572 Gr. 42	42	290	Grade 300 W	43	300	S 270 GP	39	270	Blue 355	51	355
A 572 Gr. 50	50	345	Grade 350 W	51	355	S 320 GP	46	320	Blue 390	57	390
A 572 Gr. 55	55	380	Grade 400 W	58	400	S 355 GP	51	355			
A 572 Gr. 60	60	415				S 390 GP	57	390			
A 572 Gr. 65	65	450				S 430 GP	62	430			
A 690	50	345				S 460 AP	67	460			
A 690*	57	390									

Highlighted fields represent the most commonly used and readily available steel grades. *Not available for AZ48/50/52-700. ** Corrosion resistant steel, check for availability

Corner Piles



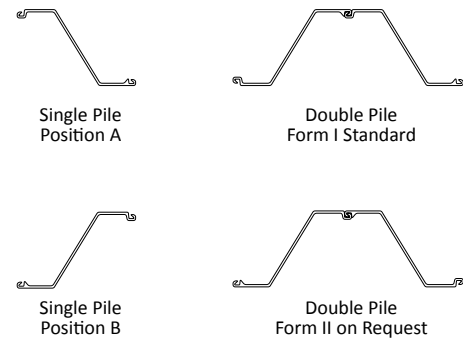
Transitional Piles



Delivery Conditions & Tolerances

	ASTM A 6	EN 10248
Mass	± 2.5%	± 5%
Length	+ 5 in. - 0 in.	± 200 mm
Height		± 7 mm
Thickness		≤ 8.5 mm ± 0.5 mm > 8.5 mm ± 6%
Single Pile Width		± 2%
Double Pile Width		± 3%
Straightness		0.2% of the length
Ends out of Square		2% of the width

Delivery Forms



Maximum Rolled Lengths†

AZ	101.7 ft.	31.0 m
E 22	59.1 ft.	18.0 m
C 14	59.1 ft.	18.0 m
Delta 13	55.8 ft.	17.0 m
Omega 18	52.0 ft.	16.0 m

† Longer lengths may be possible upon request.