

# Multi-Strand Anchor Systems



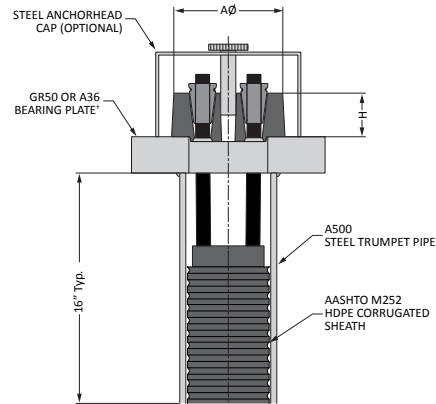
Multi-Strand Anchors - ASTM A416						
No. of 0.6" Strands	Nominal Cross Section Area (Aps) in <sup>2</sup> mm <sup>2</sup>	Ultimate Strength (Fpu x Aps)	Maximum Jacking Load (0.8 x Fpu x Aps)	Maximum Design Load (0.6 x Fpu x Aps)	Maximum Lockoff Load (0.5 x Fpu x Aps)	Nominal Steel Weight (bare strand)
		kips kN	kips kN	kips kN	kips kN	lbs/ft kg/m
1	0.217 140	58.6 261	46.9 209	35.2 156	29.3 130	0.74 1.10
2	0.434 280	117.2 521	93.8 417	70.3 313	58.6 261	1.48 2.20
3	0.651 420	175.8 782	140.6 626	105.5 469	87.9 391	2.22 3.31
4	0.868 560	234.4 1043	187.5 834	140.6 626	117.2 521	2.96 4.41
5	1.085 700	293.0 1303	234.4 1043	175.8 782	146.5 652	3.70 5.51
6	1.302 840	351.6 1564	281.3 1251	211.0 938	175.8 782	4.44 6.61
7	1.519 980	410.2 1825	328.2 1460	246.1 1095	205.1 912	5.18 7.71
8	1.736 1120	468.8 2085	375.0 1668	281.3 1251	234.4 1043	5.92 8.82
9	1.953 1260	527.4 2346	421.9 1877	316.4 1408	263.7 1173	6.66 9.92
10	2.170 1400	586.0 2607	468.8 2085	351.6 1564	293.0 1303	7.40 11.02
11	2.387 1540	644.6 2867	515.7 2294	386.8 1720	322.3 1434	8.14 12.12
12	2.604 1680	703.2 3128	562.6 2503	421.9 1877	351.6 1564	8.88 13.22
13	2.821 1820	761.8 3389	609.4 2711	457.1 2033	380.9 1694	9.62 14.33
14	3.038 1960	820.4 3649	656.3 2920	492.2 2190	410.2 1825	10.36 15.43
15	3.255 2100	879.0 3910	703.2 3128	527.4 2346	439.5 1955	11.10 16.53
16	3.472 2240	937.6 4171	750.1 3337	562.6 2503	468.8 2085	11.84 17.63
17	3.689 2380	996.2 4432	797.0 3545	597.7 2659	498.1 2216	12.58 18.73
18	3.906 2520	1054.8 4692	843.8 3754	632.9 2815	527.4 2346	13.32 19.84
19	4.123 2660	1113.4 4953	890.7 3962	668.0 2972	556.7 2476	14.06 20.94

Aps = Area Prestressing Steel, Fpu = Minimum Ultimate Tensile Strength  
 Strand Anchors utilize 0.6" (15.2mm) dia. 7-wire, Low Relaxation 270 KSI Steel Strand conforming to ASTM A 416.  
 \*Maximum lockoff load shall not exceed (0.7 x Fpu x Aps), maximum jacking load shall not exceed (0.8xFpu x Aps)  
**Now available: Hot Melt Extrusion Coated Strand.** Consult your sales representative for information on load distributive or removable strand anchors.

Please note: As we continuously improve the design of our products, product details are subject to change.

# Multi-Strand Anchor Systems

**Detail of PTI Class I DCP Strand Anchor Head**



\*\*Skyline Steel can provide a customized bearing plate solution.

Anchor Head & Duct Dimensions for DCP Strand Anchors								
Max. No of Strands	Corrugated Sheath		Trumpet Pipe		Anchor Head		Anchor Head Cap	
	OD in mm	ID in mm	OD in mm	ID in mm	AØ in mm	H in mm	OD in mm	Height in mm
2-3*	2.33 59.18	2.00 50.80	4.00 101.60	3.548 90.12	4.70 119.38	1.80 45.72	5.56 141.29	3.50 88.90
4**	3.00 76.20	2.50 63.50	4.00 101.60	3.548 90.12	4.70 119.38	1.80 45.72	5.56 141.29	3.50 88.90
6*	3.00 76.20	2.50 63.50	4.00 101.60	3.548 90.12	5.61 142.49	2.20 55.88	6.63 168.28	4.50 114.30
8**	3.60 91.44	3.00 76.20	4.50 114.30	4.026 102.26	6.33 160.78	2.06 52.32	6.63 168.28	4.50 114.30
12**	4.60 116.84	4.00 101.60	5.56 141.29	5.047 128.18	6.50 165.10	1.69 42.93	8.63 219.08	4.50 114.30
19**	5.63 142.88	5.00 127.00	6.63 168.28	6.065 154.05	8.78 223.01	4.00 101.60	10.75 273.05	6.00 152.40

\* Based on 1/2" ID PE Grout Tube. \*\* Based on 3/4" ID PE Grout Tube  
Note: Other variations may be available. Consult your sales representative