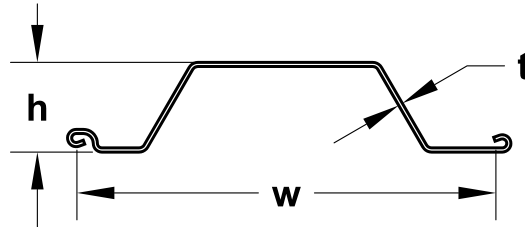


SKL/SKS

SKL/SKS Cold Formed Steel Sheet Pile



SECTION	Width (w) in (mm)	Height (h) in (mm)	Thickness (t) in (mm)	Cross Sectional Area in ² /ft (cm ² /m)	WEIGHT		SECTION MODULUS		Moment of Inertia in ⁴ /ft (cm ⁴ /m)	COATING AREA	
					Pile lb/ft (kg/m)	Wall lb/ft ² (kg/m ²)	Elastic in ³ /ft (cm ³ /m)	Plastic in ³ /ft (cm ³ /m)		Both Sides ft ² /ft (m ² /m)	Coating Area ft ² /ft ² (m ² /m ²)
SKL 9	21.65 550	3.54 90	0.157 4.0	2.53 53.50	15.52 23.10	8.60 42.00	2.55 137	3.28 176.43	4.50 615	4.23 1.29	1.17 1.17
SKL 10	21.65 550	3.54 90	0.177 4.5	2.83 59.90	17.40 25.90	9.63 47.00	2.88 155	3.67 197.23	5.09 695	4.23 1.29	1.17 1.17
SKL 12	21.65 550	3.54 90	0.217 5.5	3.43 72.60	21.10 31.40	11.67 57.00	3.53 190	4.42 237.66	6.22 850	4.23 1.29	1.17 1.17
SKS 11	27.56 700	5.91 150	0.197 5.0	3.29 69.60	25.69 38.23	11.26 55.00	6.34 341	7.54 405.36	18.67 2550	5.87 1.79	1.28 1.28
SKS 13	27.56 700	5.91 150	0.217 5.5	3.61 76.40	28.22 42.00	12.29 60.00	6.98 375	8.44 454.03	20.48 2810	5.87 1.79	1.28 1.28
SKS 14	27.56 700	5.91 150	0.250 6.4	4.17 88.20	32.58 48.49	14.19 69.27	8.05 433	9.48 509.87	23.78 3247	5.87 1.79	1.28 1.28
SKS 16	27.56 700	5.91 150	0.276 7.0	4.57 96.70	35.61 53.00	15.57 76.00	8.89 478	10.40 559.20	26.25 3585	5.87 1.79	1.28 1.28

Interlock Compatibility

	SKL 9	SKL 10	SKL 12	SKS 11	SKS 13	SKS 14	SKS 16
SKL 9	●	●	●	●	●	●	●
SKL 10	●	●	●	●	●	●	●
SKL 12	●	●	●	●	●	●	●
SKS 11	●	●	●	●	●	●	●
SKS 13	●	●	●	●	●	●	●
SKS 14	●	●	●	●	●	●	●
SKS 16	●	●	●	●	●	●	●

● Interlock compatible ○ Interlock not compatible

SKL/SKS

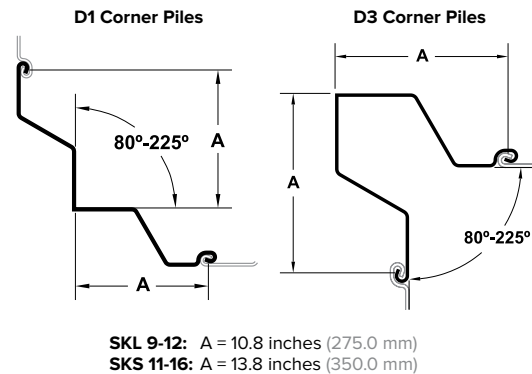
SKL/SKS Cold Formed Steel Sheet Pile

Available Steel Grades

ASTM	YIELD STRENGTH		ASTM	YIELD STRENGTH	
	ksi	MPa		ksi	MPa
A 572 Grade 50	50	345	A 588	50	345
A 572 Grade 55	55	380	A 690	50	345
A 572 Grade 60	60	415			
A 572 Grade 65	65	450			

Highlighted fields represent the most commonly used and readily available steel grades.

Corner Piles



Delivery Conditions & Tolerances

	ASTM A6		EN 10249-2	
Mass	± 2.5%		± 7%	
Length	+ 5 inches	- 0 inches	± 50 mm	
Straightness				
Bending (S)			0.25% of the length	
Curving (C)			0.25% of the length	
Twisting (V)			2% of the length	

Standard Rolled Lengths*

SKL, SKS 70 feet (21.3 m)

* Longer lengths may be possible upon request.